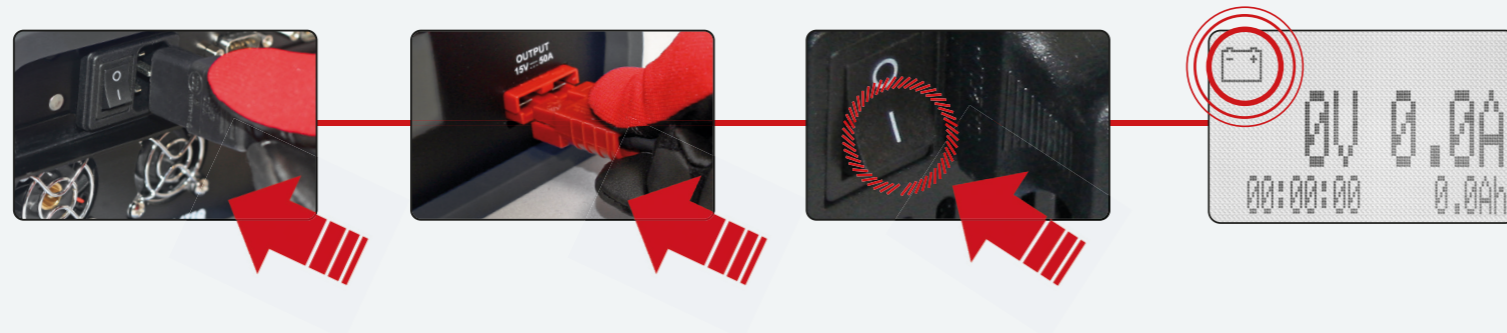
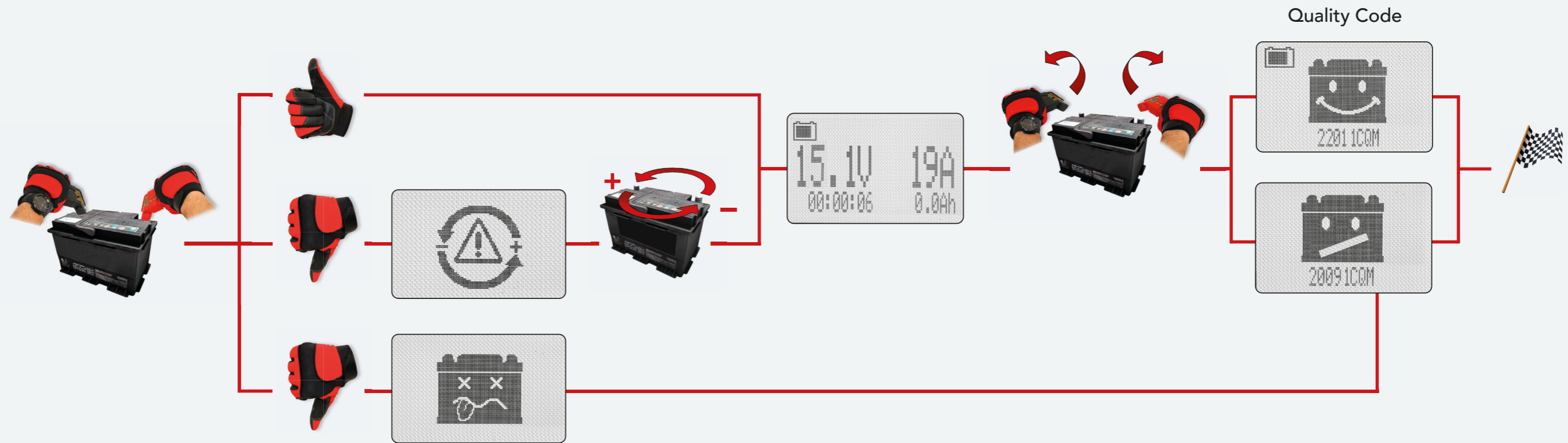


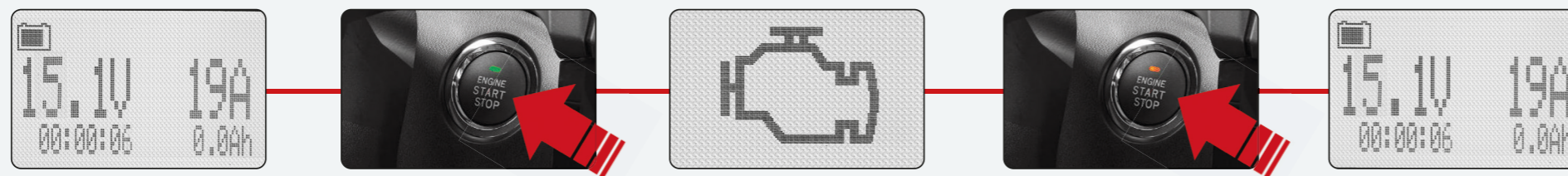
Connect and start



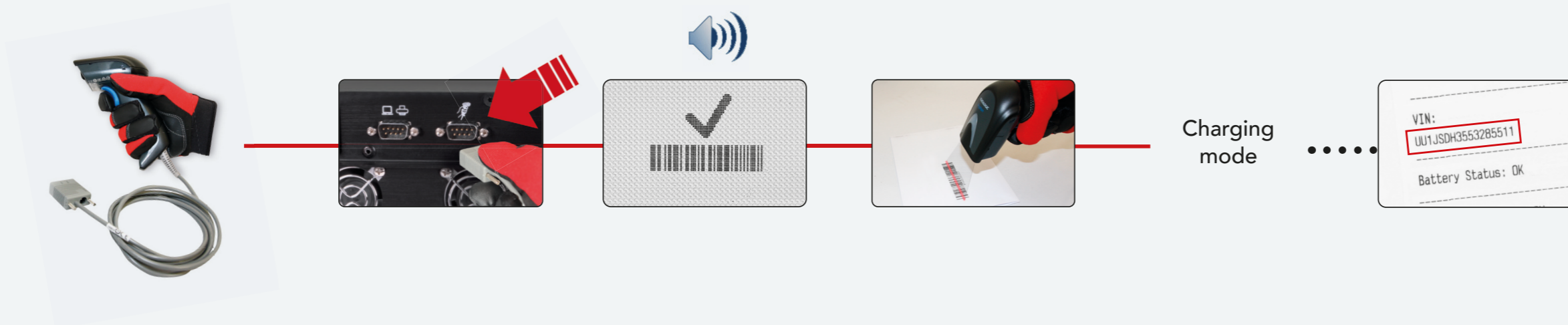
Charging mode



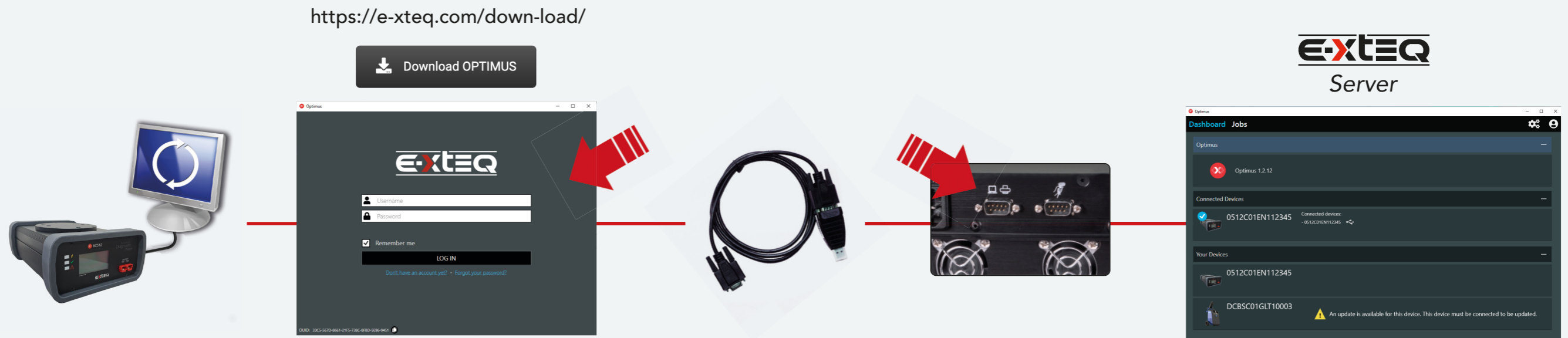
Engine start detection



OPTION  
Barcode  
scanner



Software  
update  
and result  
export



For support contact your local supplier: [www.e-xteq.com](http://www.e-xteq.com)



WARNING	
	<b>BATTERIES</b>
	Wear safety goggles
	Batteries produce explosive gases and can explode
	Keep flames away from batteries
	<b>MAGNETS</b>
	<ul style="list-style-type: none"> <li>• Risk of injury by crushing</li> <li>• Hazards caused by magnetic fields</li> <li>• Pacemakers</li> <li>• Magnetic data carriers (Credit cards, SD-Memory Cards, etc.)</li> <li>• Electric devices (Mobile phones, computers, displays, etc.)</li> <li>• Fire danger</li> <li>• Health hazards in contact with food and water</li> </ul>